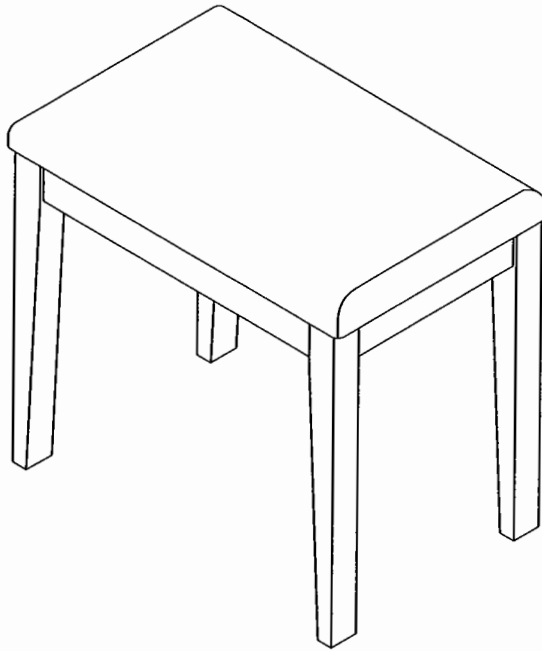


# STOOL

Stock number: 5701-91

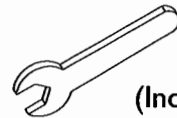
Thank you for purchasing this product. Please read the instructions carefully before use to ensure safe and satisfactory operation of this product.



## Pre-assembly preparation

Please ensure instructions are read in full before attempting to assemble this product.

## Necessary Tools



(Included)

Please check the pack contents before attempting to assemble this product. A full checklist of components is given in this leaflet. If any components are missing, please contact the retailer from whom you bought this product.

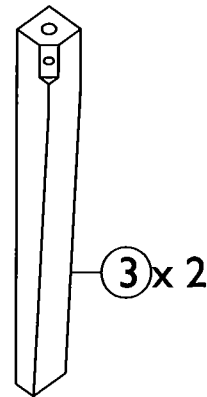
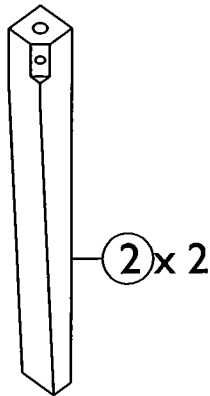
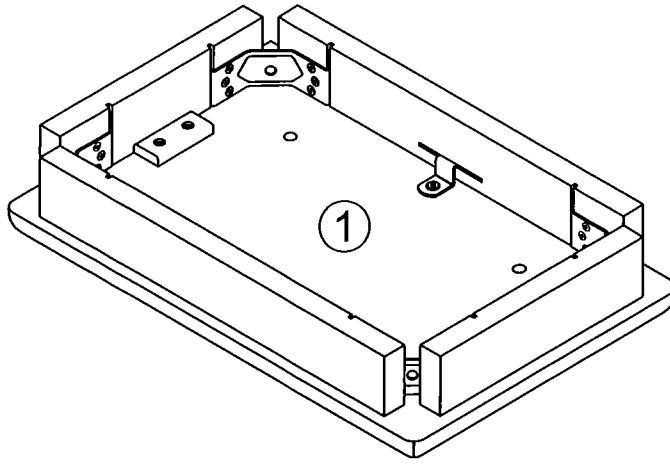
This product takes approximately **15 MINUTES** to assemble with **1 PERSON**.

All assembly should be performed on a flat, stable, clean and soft surface.

This product is **HEAVY**, it should be assembled as near as possible to the point of use. **TAKE CARE WHEN LIFTING** to avoid personal injury and (or) damage to the product

The fitting pack contains **SMALL ITEMS** which should be **KEPT AWAY FROM YOUNG CHILDREN**.

**IMPORTANT:** Retain these instructions for future reference.

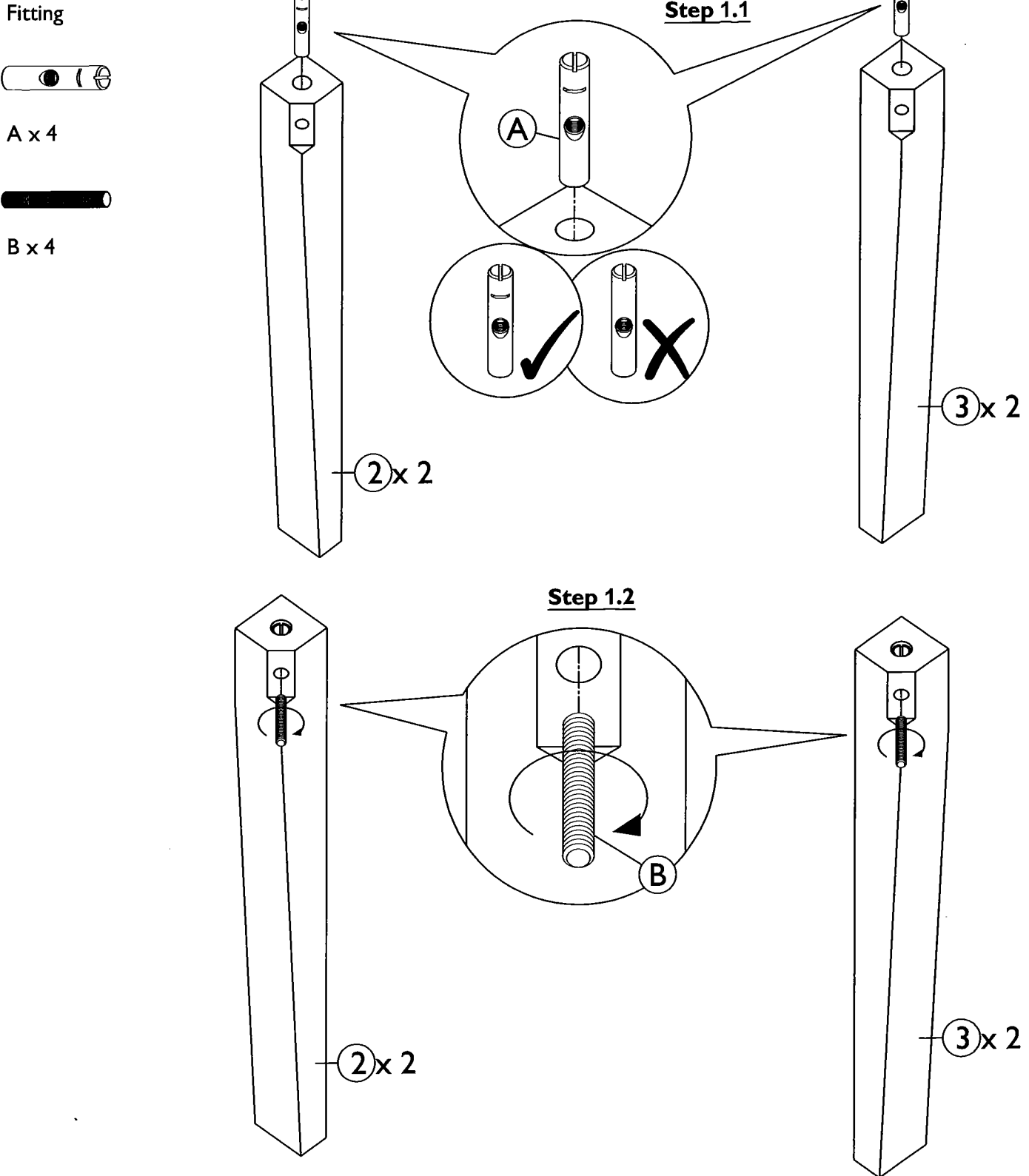


## Fittings and parts checklist

| Item | Description                    | Qty. |  | Item | Description             | Qty. |
|------|--------------------------------|------|--|------|-------------------------|------|
| 1    | Seat                           | x 1  |  | 3    | Leg <u>Type-2</u>       | x 2  |
| 2    | Leg <u>Type-1</u>              | x 2  |  |      |                         |      |
| A    | Cross dowel<br>M8 x Ø12 x 60mm | x 4  |  | D    | Lock washer<br>Ø8.4x2mm | x 4  |
| B    | Threaded bolt<br>M8x70mm       | x 4  |  | E    | Hex nut<br>M8x13mm      | x 4  |
| C    | Flat washer<br>Ø8.4xØ17x1.6mm  | x 4  |  | F    | Spanner                 | x 1  |

# Step By Step Assembly Instructions

- Step 1**
- 1.1 : Lay all parts on a flat, stable, clean and soft surface.
  - 1.2 : Insert 4x cross dowels (A) into the pre-drilled holes on top of legs (2) & (3) as shown. Ensure the horizontal marking on each fitting (A) is facing as shown.
  - 1.2 : Screw 4x threaded bolts (B) into the hole on the bevels of legs then tighten them into the holes of fittings (A) that are concealed in legs (2) & (3) as shown.



# Step By Step Assembly Instructions

- Step 2**
- 2.1 : Attach legs (2) & (3) into place by inserting bolts (B) through the pre-drilled holes of metal corner brackets as shown.
  - 2.2 : Insert flat washers (C), lock washer (D) and hex nut (E) onto threaded bolt (B) on leg (2) and in order as shown - (C) followed by (D) followed by (E).
  - 2.3 : Tighten hex nut (E) using spanner (F) as shown. Continue to re-tighten hex nut (E) until they are securely fastened.
- Repeat above procedures with the remaining legs (2) & (3).**
- 2.4 : Stand the unit upright.

Fitting



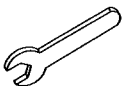
C x 4



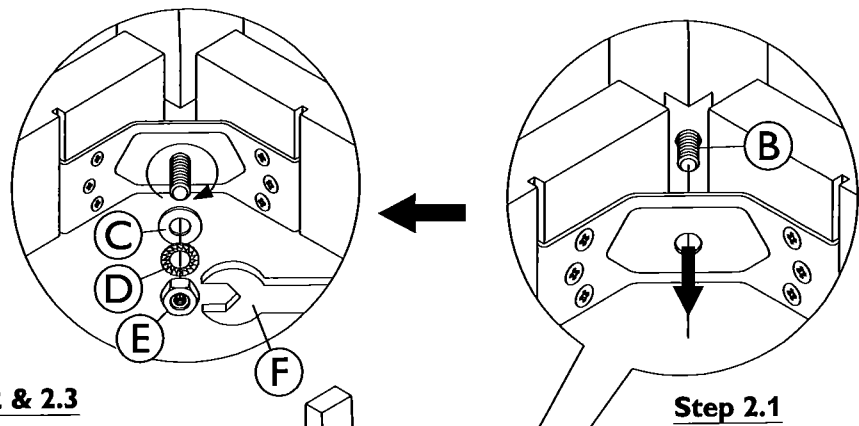
D x 4



E x 4

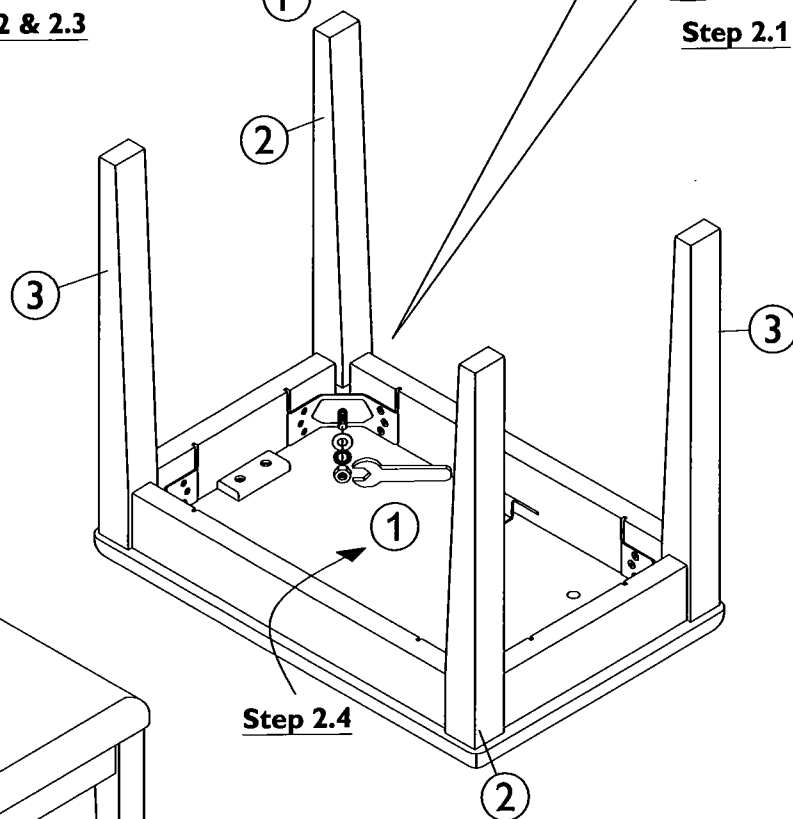


F x 1

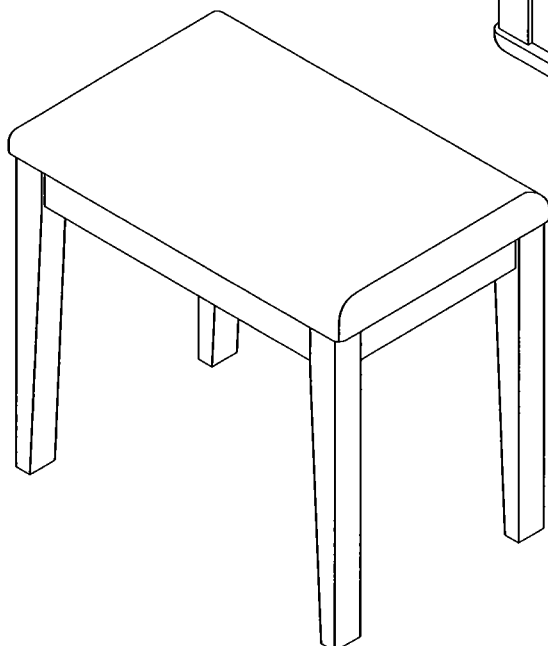


**Step 2.2 & 2.3**

**Step 2.1**



**Step 2.4**



**Assembly is complete**

---

# Care and Maintenance

## Wood Furniture

Wood displays different grain patterns depending on which way they are cut - for example, the 'medullary ray' which can appear on oak furniture is a mark of good quality timber - these are just characteristics of the natural beauty of the wood.

Some furniture is also deliberately aged and rustic.

Wood veneers also allow distinctive patterns to be created on some surfaces, such as table tops and drawer fronts by the way slivers are arranged.

All timber and veneer surfaces will change colour and mellow over time. New furniture will initially vary in shade from items that have been previously purchased.

## How to care for your wood furniture

Dust with a clean, damp, lint free cloth. Frequent dusting will remove abrasive build up, which can damage the finish over time.

Do not use a very wet cloth or allow any liquid to contact with the veneers for a long period of time as this can permanently damage the surface. Wipe up spills immediately.

Do not use any abrasive cleaner or harsh detergent as this can damage the surface of the furniture.

Spray polishes are best avoided as they contain silicones which may spoil the furniture's surface when building up over time.

Make sure all surfaces are protected from heat and liquids by mats and coasters.

Ensure that a mat or pad is placed under paper when you are writing on the furniture surface.

Do not place rubber or plastic materials on the wood finish as chemicals within may react with the finish if left in contact for an extended period of time.

Our furniture will endure most temperatures in the home but it is best to avoid placing furniture next to heat sources such as radiators or fires. Be particularly careful with solid wood as the lack of humidity caused by home heating can cause damage such as warping, cracking or splitting.

Excessive exposure to sunlight can cause fading of your furniture.

## Upholstered furniture

The upholstery should not be exposed for long periods to direct sunlight as this may cause fading and deterioration of the cover material. Protect from exposure to sources of heat such as radiators or open flames. It is recommended to give the upholstery a frequent vacuuming or light brushing.

It is very important to rub very gently to avoid colour change. This proper cleaning will prevent buildup of dust, soil and oils which can be damaging to the cover material.

In the event of spillage it is imperative to act quickly. Carefully soak up any excess liquid, ideally using the edge of a white paper towel, then dab gently with a fresh towel taking care to avoid soaking in or spreading of the remaining liquid.

The loose cover is Machine washable at 30 degrees, Flat Dry.

It is advisable to seek professional help when serious stains occur or when an overall soiled condition has been reached.

## Safety Instructions:

Never drag furniture when moving it. Always lift it.

Periodically check all fixings to ensure none have come loose. Re-tighten when necessary.

Please take care when handling or moving the furniture as careless handling may cause damage or injury.

Furniture can be dangerous if incorrectly assembled. Assembly should be carried out by a competent person.

No liability will be accepted for damage or injury caused by incorrectly installed or assembled furniture.

## Heavy item warning:

It is recommended to seek assistance when moving a heavy object. Take care when lifting to avoid personal injury and (or) damage to the product.

It is recommended that before moving a heavy object to a new location it is completely dis-assembled to avoid personal injury or damage to the furniture. Please be careful to retain all fittings when doing this.

**PLEASE KEEP THESE INSTRUCTIONS FOR FUTURE REFERENCE**

**Page : 5**